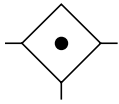
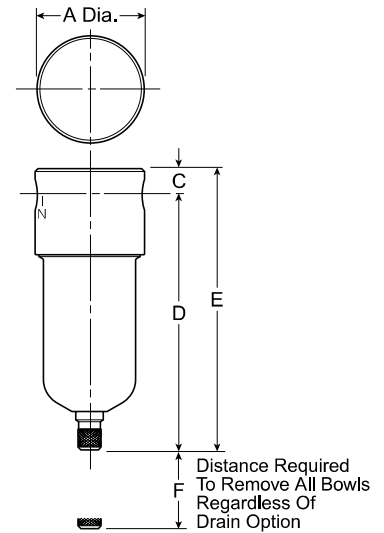


F504 Filters – Miniature



Features

- Excellent water removal efficiency
- Unique deflector plate that creates swirling of the air stream ensuring maximum water and dirt separation
- Easily disassembled for servicing without the use of tools
- Interchangeable twist and automatic pulse drains
- High flow: 22 SCFM[§]



Port Size	NPT	
	Twist Drain	Automatic Pulse Drain
Polycarbonate Bowl [‡]		
1/8"	F504-01AH	F504-01AHS
1/4"	F504-02AH	F504-02AHS
Metal Bowl without Sight Gauge		
1/8"	F504-01DH	F504-01DHS
1/4"	F504-02DH	F504-02DHS

F504 Filter Dimensions		
A 1.56 (39.7)	C 0.38 (9.5)	D 3.78 (96)
D† 3.62 (92)	E 4.16 (105.6)	E† 4.00 (101.6)
F .75 (77)	F† .75 (77)	

Standard part numbers shown bold.

For other models refer to ordering information below.

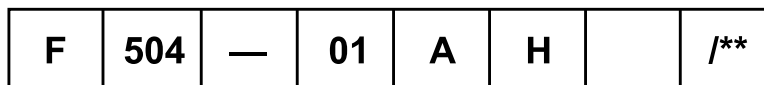
[‡] For polycarbonate bowl see Caution on page inside cover.

[§] SCFM = Standard cubic feet per minute at 90 PSIG inlet and 5 PSIG pressure drop.

Inches (mm)

[†] With Metal Bowl

Ordering Information

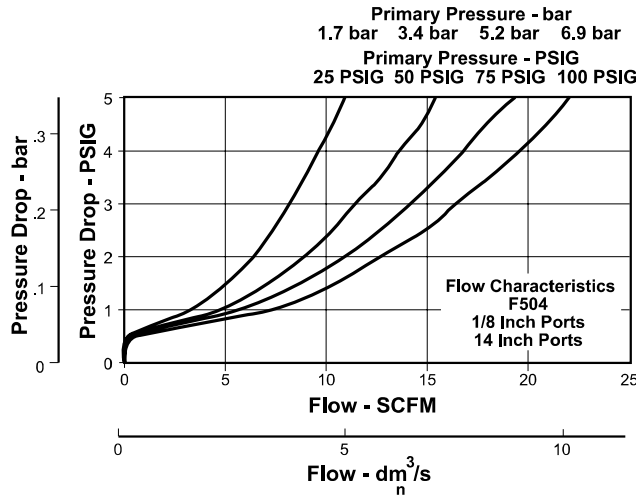


Port Threads — NPT G BSPP	Port Size 01 1/8 Inch 02 1/4 Inch	Bowl A Polycarbonate D Metal	Elements G 5 Micron H 20 Micron	Drains and Options Blank Manual Twist Drain S Automatic Pulse Drain U Semi-Auto Drain X11 No Internal Parts X33* Polyurethane Bowl X64 Fluorocarbon Seals X67 With Mounting Bracket	Engineering Change Designator Will be entered at factory.
--	--	---	--	---	---

* Add .65" to overall length.

BOLD ITEMS ARE MOST POPULAR.

Technical Information



F504 Filter Kits & Accessories

- Bowl Kits –**
 Metal (D)BK505Y
 Metal (D) with Automatic Pulse Drain.....BK505SY
 Polycarbonate (A)BK504Y
 Polycarbonate (A) with Automatic Pulse Drain..... BK504SY
- Drain Kits –**
 Automatic Pulse Drain RK504SY
 Manual Twist Drain SA600Y7-1
 Semi-Automatic “Overnight” Drain SA602A7
 (Drains automatically under zero pressure)
- Filter Element Kits –**
 5 Micron (All)..... EK504VY
 20 Micron (All).....EK504Y
- Mounting Bracket Kit** Must be Ordered with Filter

Specifications

- Bowl Capacity** 1 Ounce
- Port Threads** 1/8, 1/4 Inch
- Pressure & Temperature Ratings –**
 Polycarbonate Bowl 0 to 150 PSIG (0 to 10.2 bar)
 40°F to 125°F (4.4°C to 52°C)
 Metal Bowl.....0 to 300 PSIG (0 to 20.4 bar)
 40°F to 180°F (4.4°C to 82.2°C)
 With Automatic Pulse Drain 175 PSIG Max. Press. (11.9 bar)
- Weight**
 Polycarbonate Bowl 0.3 lb. (0.14 kg) / Unit
 7 lb. (3.18 kg) / 24-Unit Master Pack
 Metal Bowl..... 0.5 lb. (0.23 kg) / Unit
 12 lb. (5.44 kg) / 24-Unit Master Pack

Materials of Construction

- Body** Aluminum
- Bowls** Polycarbonate
 Metal (Zinc)
- Drains** Brass
- Filter Elements** Polypropylene
- Seals** Nitrile

() = BOWL TYPE

